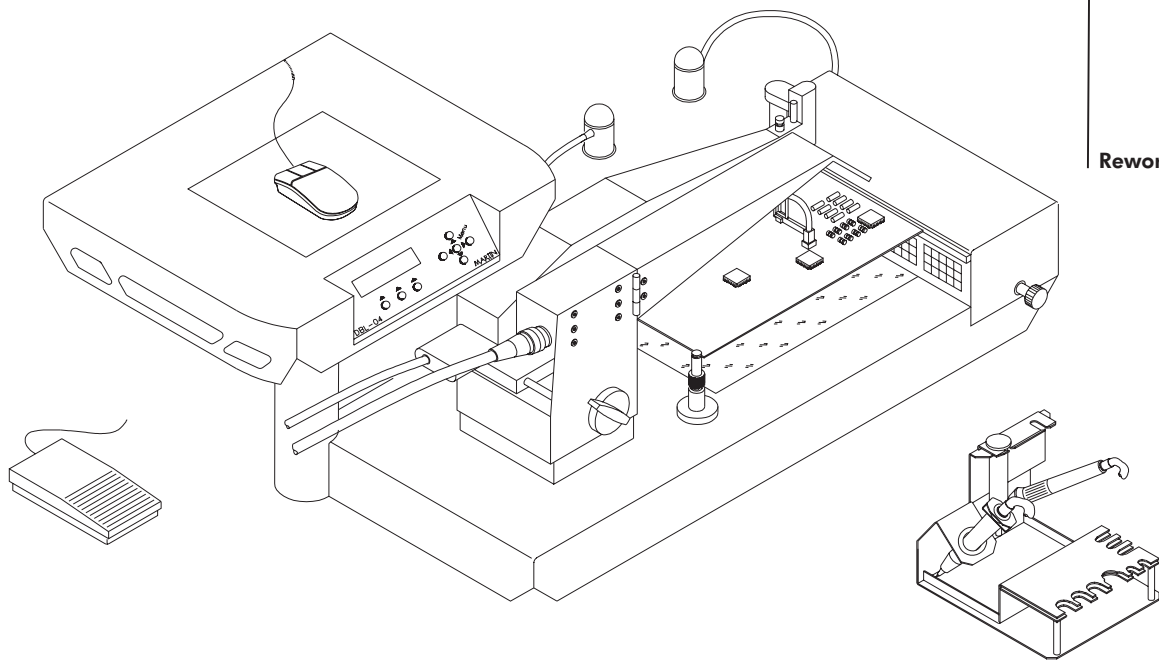


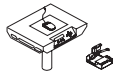
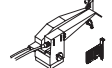
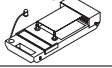

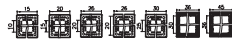

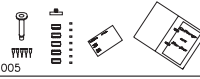
Auto Vision Expert 09



Rework Technic pc

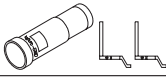
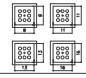

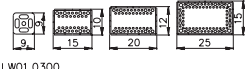
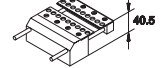
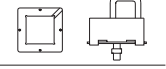

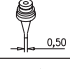
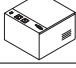

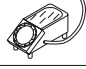
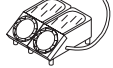

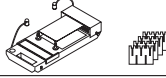
DB00.2011 Martin rework set Auto Vision Expert 09 ^ Chip, QFP, BGA, CSP, reballing

Standard Equipment

| | | | | |
|-----------|---|--|-----------|---------|
| DB00.0005 | SMD compact unit DBL 04* with basic equipment |  | DB00.0005 | 1 piece |
| SF62.0001 | Auto Vision Placer for DBL 04 contr., arm, 4 nozzles, camera, pc card |  | SF62.0001 | 1 piece |
| SF00.0009 | Smart Fix IRF 06 w/o arm* pcb tableau, 4m, 4s, l, area IR |  | SF00.0009 | 1 piece |
| DVSX.0004 | Easy Solder 04 PC control WIN PC ES incl. SS, proc ES, cable, CD, manual |  | DVSX.0004 | 1 piece |
| LW01.0101 | Soldering tool set QFP (t.w. Expert) for all PLCC ... QFP, 7 pieces |  | LW01.0101 | 1 piece |
| PD91.0001 | Foot switch function start button |  | PD91.0001 | 1 piece |
| VD90.2005 | Rework ABC 2000* manual with material |  | VD90.2005 | 1 piece |

Auto Vision Expert 09

Optional Extras

| | | | | |
|---------------------------|--|--|-----------|-----------|
| SF62.0002 | Micro SMD Option for AVP μSMD lens, 2 placement nozzles |  | SF62.0002 | 1 piece |
| LW40.1098 | Soldering nozzle set CSP for all types of CSP/μBGA, 4 pieces |  | LW40.1098 | 1 piece |
| LW40.1099 | Soldering nozzle set BGA ^ for all (98%) types of BGA, 7 pieces |  | LW40.1099 | 1 piece |
| LW01.0300 | Soldering tool set SO for all SO...SOL...TSOP, 4 pieces |  | LW01.0300 | 1 piece |
| SF03.0009 | PCB clamp 40.5 for mobil phone pcb and BGAs |  | SF03.0009 | 1 piece |
| LWxx.xxx4 | Reballing ovens and masks for all types of BGA/CSP, your choice |  | LWxx.xxx4 | 1 piece |
| DB96.0002 | Magazine for soldering tools revolving, 12 tool positions |  | DB96.0002 | 1 piece |
| DB15.0010 | SMD placement nozzle 0.5 mm for 0302 etc. |  | DB15.0010 | 1 piece |
| VD90.2106 | Compressor Fox Silent, oil free, quiet 240 l/min, 50 l container |  | VD90.2106 | 1 piece |
| VD90.1001 | Control unit WINXP prof. complete 1700MHz, 256MB, CD-Rom, 15" TFT |  | VD90.1001 | 1 piece |
| For very small pcb | | | | |
| IR00.0015 | IR radiation element - 120 Watt 40x33 mm for DBL 04, Hot Air 04* |  | IR00.0015 | 1 piece |
| IR00.0016 | IR double radiation element - 120 Watt 40x73 mm for DBL 04, Hot Air 04* |  | IR00.0016 | 1 piece |
| SF00.0017 | Smart Fix 06 w/o arm, with illum+cool pcb tableau, 4 magnet h., ruler |  | SF00.0017 | 1 piece |
| Drop out of SF00.0009 | Smart Fix IRF 06 without arm* pcb tableau, 4m, 42, l, area IR |  | SF00.0009 | - 1 piece |